

# —eVO 4k

## USER MANUAL



4K Photo & FHD Video Drone with Optical Flow, GPS & WIFI



**ZERO-X**



## ZERO-X IS A PROUD DRONE SAFETY ADVOCATE



### Test your knowledge at [knowyourdrone.gov.au](https://knowyourdrone.gov.au)

Be aware of local legislations and read the instructions carefully before using your drone. Keep yourself and others safe when flying your Zero-X drone. Always fly your drone within visual line-of-sight and only fly one drone at a time. Do not allow your view of the drone to be impaired eg: in rain, wind, snow, fog or low light. When flying your drone, please keep in mind the safety and privacy of others.

Do not get your drone wet, dusty or sandy. Do not touch your drone while it is powered on and when the rotor blades are turning.

For replacement parts batteries, blades, and accessories please visit your nearest Zero-X retailer or visit [www.zero-x.com.au](https://www.zero-x.com.au) | [www.zero-x.co.nz](https://www.zero-x.co.nz)

# CONTENTS

<b>1.0 WELCOME</b> .....	<b>4</b>
1.1 BEFORE YOU GET UP IN THE AIR .....	4
1.2 GENERAL SAFETY .....	4
<b>2.0 PRODUCT CONTENTS</b> .....	<b>5</b>
2.1 PRODUCT OVERVIEW.....	5
2.2 CONTROLLER OVERVIEW.....	6
<b>3.0 BATTERY SAFETY</b> .....	<b>7</b>
<b>4.0 INSTALLING THE BATTERY</b> .....	<b>9</b>
<b>5.0 INSTALLING A MICRO SD CARD*</b> .....	<b>9</b>
<b>6.0 REPLACING ROTOR BLADES</b> .....	<b>10</b>
<b>7.0 FOLDING/UNFOLDING THE EVO 4K DRONE</b> .....	<b>11</b>
<b>8.0 REMOTE CONTROL</b> .....	<b>11</b>
<b>9.0 FLIGHT SAFETY</b> .....	<b>11</b>
<b>10.0 FLYING YOUR EVO 4K DRONE</b> .....	<b>12</b>
<b>11.0 FLYING THE DRONE WITHOUT GPS</b> .....	<b>12</b>
<b>12.0 FLYING THE DRONE WITH GPS</b> .....	<b>13</b>
<b>13.0 BASIC FLIGHT</b> .....	<b>16</b>
<b>14.0 SPEED MODE</b> .....	<b>16</b>
<b>15.0 GIMBAL ADJUSTMENT</b> .....	<b>16</b>
<b>16.0 TAKING OFF / LANDING &amp; EMERGENCY LANDING</b> .....	<b>17</b>
<b>17.0 OPTICAL FLOW POSITIONING</b> .....	<b>17</b>
<b>18.0 HEADLESS MODE</b> .....	<b>18</b>
<b>19.0 FLY AROUND-ME MODE</b> .....	<b>18</b>
<b>20.0 ZERO-X EVO 4K APP</b> .....	<b>19</b>
<b>21.0 FOLLOW-ME FUNCTION (GPS MODE ENABLED)</b> .....	<b>20</b>
<b>22.0 ACTIVE TRACK</b> .....	<b>20</b>
<b>23.0 WAY POINT FLIGHT (GPS MODE ENABLED)</b> .....	<b>20</b>
<b>24.0 RETURN HOME (GPS MODE ENABLED)</b> .....	<b>21</b>
<b>25.0 PHOTO MODE</b> .....	<b>22</b>
<b>26.0 VIDEO MODE</b> .....	<b>22</b>
<b>27.0 VIEWING PHOTOS AND VIDEOS</b> .....	<b>22</b>

28.0 DRONE MAINTENANCE .....	22
29.0 REPLACEMENT PARTS .....	23
30.0 WARRANTY TERMS & CONDITIONS.....	24
31.0 NOTES.....	27

## 1.0 WELCOME

Thank You for a purchasing a Zero-X Evo 4K Drone. The Zero-X range has been specifically designed to provide the intermediate to advanced user with a great flight experience. Please take the time to read the following safety warnings and operating instructions carefully.

## 1.1 BEFORE YOU GET UP IN THE AIR

Before you familiarise yourself with the Zero-X Evo 4K Drone, please refer to **"BATTERY SAFETY" ON PAGE 7** before you start charging your drone's battery.

### **WARNING:**

**PLEASE DO NOT MOVE THE CAMERA MANUALLY AS IT CAN DAMAGE THE GIMBAL AND CAMERA.**

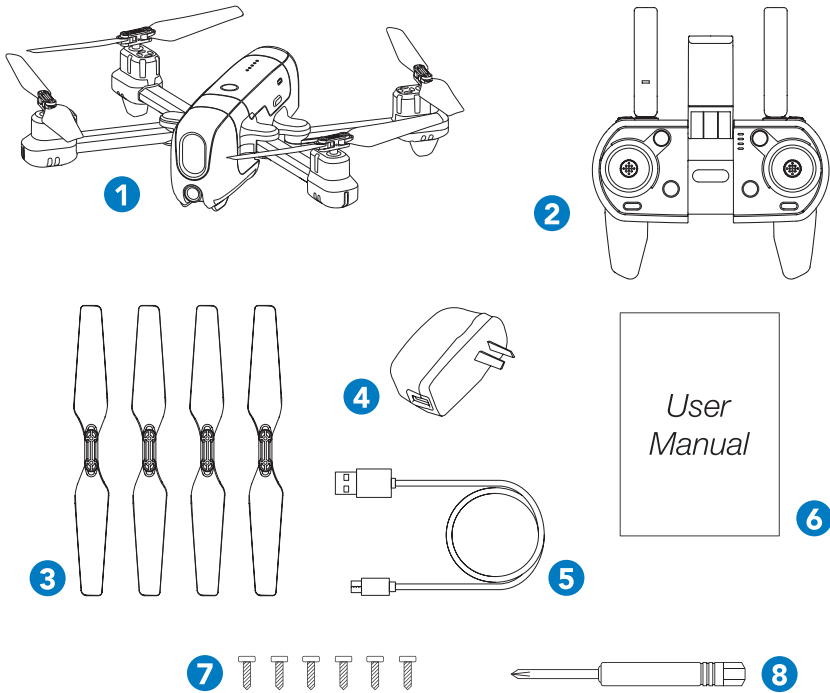
## 1.2 GENERAL SAFETY

Please familiarise yourself with your local legislation regarding drone usage before you begin using your Zero-X Evo 4K Drone. Included in the package contents of your Zero-X Evo 4K Drone are the Australian CASA guidelines, please read them carefully and understand this information as operating a drone outside of these guidelines may result in legal issues. Zero-X takes no responsibility for operation of this product outside of what is legally permissible in your area.

- Do not fly your Evo 4K Drone any closer than 30 metres from people, animals or buildings. Check to make sure you are no closer than 5.5 kilometres from any airfields or airports. For more information on CASA's Australian legislation visit: <http://www.casa.gov.au/>
- You must not fly your drone higher than 120 metres (400 ft) above the ground.
- You must only fly during the day and keep your drone within visual line-of sight
- For information outside Australia please visit the website of your local aviation authority.
- Do not attempt to modify the Evo 4K Drone or any of its components in any way, doing so will void your warranty and may affect the operation of the drone.
- Do not use the Evo 4K Drone in any conditions that could affect, damage or impair your view including wet, dusty or sandy conditions. These elements will damage the components of your Evo 4K Drone.
- Please do not attempt to touch the Evo 4K Drone when the Remote Control is powered on, or if the rotor blades are turning.
- When flying your Evo 4K Drone, please keep in mind the privacy of others.

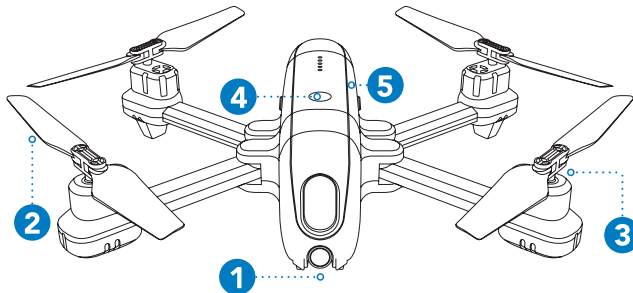
## 2.0 PRODUCT CONTENTS

1. Evo 4K Drone
2. Remote Control
3. Rotor Blades x 8
4. USB AC Wall Charger
5. USB Charging Cable
6. User Manual
7. Screws
8. Small Screw Driver



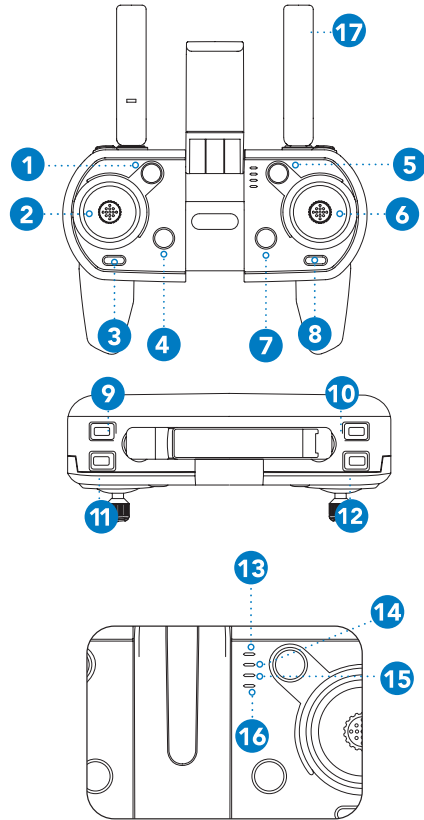
## 2.1 PRODUCT OVERVIEW

1. Camera
2. Rotor blades
3. Motor
4. Power Button
5. Battery Release Buttons



## 2.2 CONTROLLER OVERVIEW

1. Fly Around Me Mode
2. Left Thumbstick  
(Ascend/Descend, Yaw Left/Right) Press down to start headless mode
3. Power Button
4. Take off/Landing Button/  
Emergency Stop
5. Way Point flight
6. Direction Controls  
(Forward/Backward,left/Right)
7. Return to home
8. One key follow
9. Camera Up
10. Camera Down
11. Speed
12. Short press take photo/ long  
press take video
13. Charging indicator
14. Picture/Video Indicator
15. Headless Mode Indicator
16. Power Indicator
17. Antenna





## IMPORTANT INFORMATION - PLEASE READ BEFORE USE

### 3.0 BATTERY SAFETY

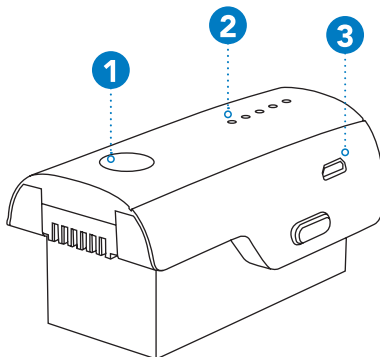
When handled incorrectly, Lithium polymer batteries can be dangerous and can potentially harm and do damage to persons or property. Zero-X does not accept any liability for damage to persons or property if the battery is not correctly charged, stored or protected.

- Always unwind all cables before charging.
- Do not over charge the battery. Once the charging process is completed, remove the battery from the charger as soon as possible.
- Only use the included or replacement Zero-X Evo 4K chargers, cables and batteries.
- You must charge the Lithium polymer battery in a safe area away from flammable materials.
- The battery is only to be charged under adult supervision, do not leave charging batteries unattended. You should always remain in constant observation to monitor the charging process and react immediately to any potential problems that may occur.
- Do not charge the battery in temperatures hotter than 40°C or colder than 0°C.
- Do not cover the batteries when charging. Do not leave batteries in direct sunlight.
- After each flight & or crash, please check battery for any damage or swelling.
- If the battery is damaged, leaking, making noise, punctured or malformed in any way DO NOT attempt to use it. Please dispose of the battery immediately and safely in the correct manner.
- Do not bend, puncture, crush or scratch the drone's battery. Do not store batteries in your pockets, on your person or in extreme temperatures.
- After flying/discharging the battery you must allow it to cool to ambient/room temperature before recharging.
- If at any time during the charge or discharge process the battery begins to balloon or swell, discontinue charging or discharging immediately. Quickly and safely disconnect the battery, then place it in a safe, open area away from flammable materials to observe it for at least 15 minutes. Continuing to charge or discharge a battery that has begun to balloon or swell can result in a fire. A battery that has ballooned or swollen even a small amount must be removed from service completely.
- Never plug in a battery and leave it to charge unattended overnight.
- Non-compliance with the above warnings may result in the failure of the battery.

**PLEASE NOTE: YOUR ZERO-X DRONE COMES WITH A CERTIFIED ZERO-X USB AC CHARGING ADAPTER AND CABLE FOR 240v CHARGING OF YOUR DRONE BATTERY. USE OF A NON ZERO-X CERTIFIED USB AC CHARGING ADAPTER AND CABLE WILL VOID YOUR WARRANTY AND MAY DAMAGE BOTH YOUR BATTERY AND DRONE.**

Press the buckle and pull out the battery from the your Evo 4K. Connect the drone battery to the charging cable. The light on the battery will blink blue during charging. The light on the battery will turn solid blue once charging is complete. Once the battery is in a low power state, the blue power indicator will start flashing. At this time, please fly the drone back immediately and charge the battery to avoid unnecessarily losing your drone. To keep the battery life as long as possible avoid removing the battery from the charging cable before charging is complete. If you have just finished flying your Evo 4K drone, please allow the battery to cool down for at least 30 minutes before recharging.

1. The Evo 4K battery may take up to 3 hours to charge. If the battery has been on charge for any longer than 4 hours and the indicator on the charging cable is not showing that the battery is charged, please remove the battery from the charger.
2. When the Evo 4K battery has finished charging it is advised that the battery is removed from the charger as soon as possible. Overcharging will damage the battery and affect the flight time.

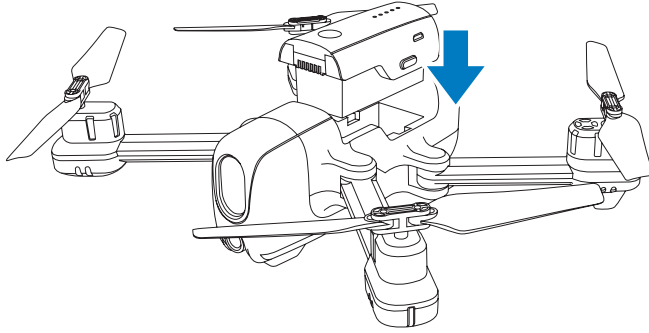


1. Battery on/off button
  2. Battery power indicator
  3. USB charging port
- Low → High**



#### 4.0 INSTALLING THE BATTERY

1. Ensure that the battery is fully charged.
2. Insert the battery into the middle of the drone in the correct orientation.
3. Slide the battery all the way down until it securely slots into place.

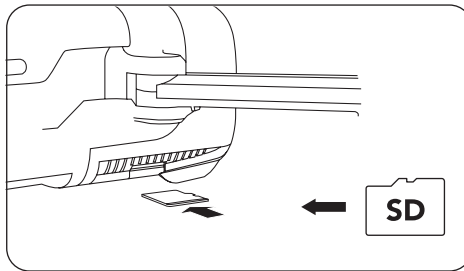


#### NOTE

- Do not force the battery, if the battery does not fit into position, please check that you have the battery in the correct orientation.

#### 5.0 INSTALLING A MICRO SD CARD\*

The Micro SD Card slot is on the lower right hand side of the drone. Insert the Micro SD Card into the slot on the right side of the Evo 4K with the Micro SD Card copper contacts facing toward the drone. Gently press the card in until you hear the card lock click into place.



#### REMOVING A MICRO SD CARD

To remove your Micro SD Card, follow the instructions below.

1. Press the Micro SD Card in until a click is heard and the card releases.
2. The Micro SD Card will now be removable. (Micro SD Card not included\*).
3. The recommended Micro SD card is Class 10 with a maximum capacity of 32GB.

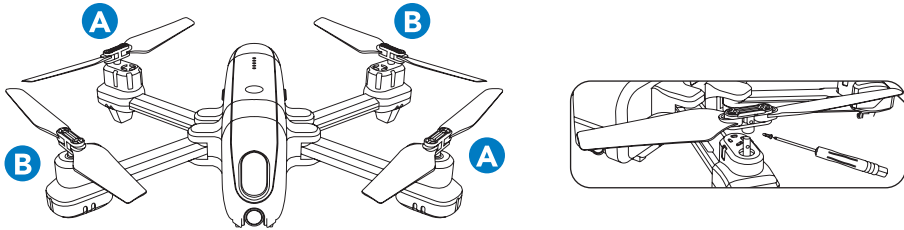
## 6.0 REPLACING ROTOR BLADES

If the Rotor blades become damaged they can be easily replaced with spare replacement blades.

There are two types of rotor blades included with the Evo 4K, A blades (clockwise rotation) and B blades (counter clockwise rotation). The blades are marked on the bottom showing either A or B. Please make sure all the blades are fixed in the correct position.

To remove and replace the rotor blades, please follow the instructions below.

1. Unscrew the screw on the side of the rotor blade you want to replace. It is advised that you replace the blades one at a time to avoid losing screws or installing blades incorrectly.
2. Remove the blade by gently pulling the blade away from the motor stem.
3. Replace the rotor blade with a replacement blade making sure to match with motors.
4. Firmly press the blade into position making sure that you have aligned to the motor stem with the hole in the rotor blade.
5. Lock the blade position by tightening the screw that was removed in step 1 making sure not to over tighten.



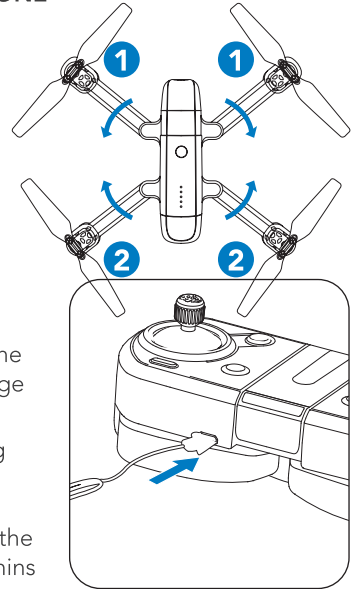
### NOTE

- It is important that the correct rotor blades are installed on the correct motors as if they are installed incorrectly the drone will not fly and you could potentially burn out the drone's motors.
- Be aware of the sharp edges on the blades. Please handle them with care.
- Only use the Zero-X Pro Evolved 4K Blades.  
Do not mix with other blades.
- To avoid injury do not touch the blades when they are spinning.
- Only use blades that are in good condition. If they are chipped or broken replace them as this may compromise the flight.

## 7.0 FOLDING/UNFOLDING THE EVO 4K DRONE

The Evo 4K can be folded for easy storage and transport.

The Evo 4K's arms are designed to be folded down in a specific order by first folding the forward arms inward and then folding the rear arms inward.



## 8.0 REMOTE CONTROL

The remote control comes with a rechargeable inbuilt 3.7V 300 mAh Li-on battery. When the remote control has low power, the power indicator LED on top of the remote will keep blinking, signaling to charge the remote control.

Connect the remote control to the charging cable and the power indicator LED will turn solid blue, this indicates that charging is in progress. The power LED will turn off once the charging is complete. It can take up to 50 mins to fully charge the remote control.

### NOTE:

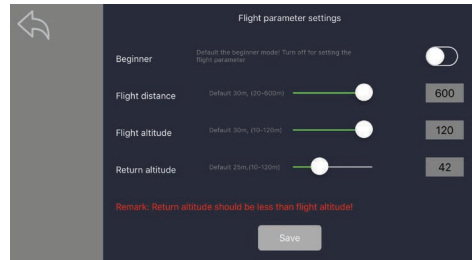
- To Power On, Press the Power On/ Off button
- To Power Off, Long press the Power On/Off Button for 3 seconds.

## 9.0 FLIGHT SAFETY

Before flying your Evo 4K make sure that you are in a safe setting. CASA restrictions regarding flying drones require the drone to be no closer than 5.5kms from any airport or airfield while flying. Drones should also not be flown higher than 120 metres above the ground, over populated areas or any closer than 30 metres from vehicles, people or animals.

It is also required that you check your surroundings before taking off making sure there are no obstacles or dangers in the area including overhead power lines and bodies of water. If there are hazards present in your intended area of flight, please consider an alternative location.

For safety, Default control of the drone is set to beginner where the flight parameters are fixed. To change the parameters, please deselect Beginner mode in the App Flight Settings. Please refer to **"ZERO-X EVO-4K" ON PAGE 19** on how to download the App.



## 10.0 FLYING YOUR EVO 4K DRONE

Ensure that the Evo 4K's arms are fully extended and the battery of the drone and controller are fully charged.

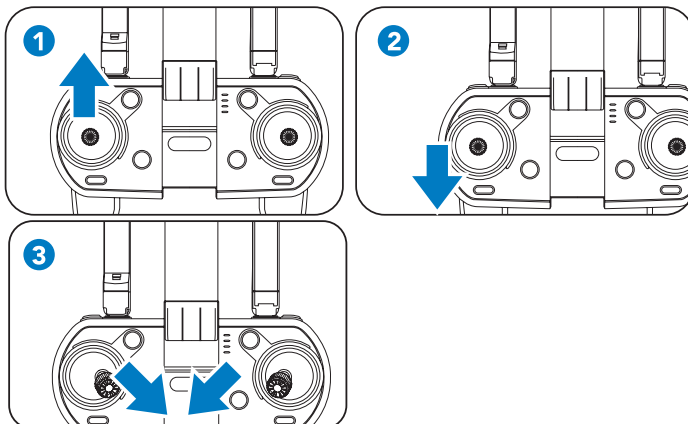
Please read through all of the instructions below before attempting to launch the Evo 4K drone.

## 11.0 FLYING THE DRONE WITHOUT GPS

1. Adjust the top antennas of the controller to the fully extended position.
2. Power on the drone by holding the Power On button for 3 seconds and place the drone on a level section of ground free of any obstacles. The front and rear LED lights on the Evo 4K drone will flash green and red respectively.
3. Turn the controller on by pressing the Power On Button. The front and rear LED lights of the drone will turn solid green and red, the power indicator light on the controller will also flash. This indicates that the drone needs to be paired to the remote controller. Move the left thumb stick upwards for 1 second then move the left thumb stick downwards for one second. The controller will beep and the power indicator light will remain solid blue once the controller and the drone have been paired successfully. Release the left thumb stick allowing it to return to the natural position (Fig 1 & 2 below).
4. Unlock the motors by simultaneously holding the left thumb stick down to a 5 o'clock position while also holding the right thumb stick down to a 7 o'clock position. The motors on the drone will now start spinning. To launch the drone push the left thumb stick upward within 5 seconds of the motors being unlocked or press the one key take off/landing button (Fig 3 below).

### NOTE:

- You can connect to WIFI at this time to view real time video. Please refer to **"ZERO X EVO 4K APP" ON PAGE 19** on how to connect to WIFI.



## 12.0 FLYING THE DRONE WITH GPS

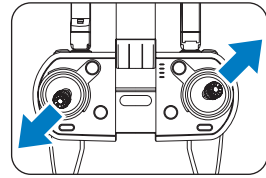
The Evo 4K Drone needs to record your starting position coordinates before flight, it is recommended that you calibrate your drone's GPS before starting every flight. See below for steps to calibrate the GPS.

1. Extend the top antennas of the controller all the way out.
2. Power on the drone by holding the Power On Button for 3 seconds and place the drone on a level section of ground free of any obstacles. The LED indicator lights on the Evo 4K drone will flash green and red.
3. Turn the controller on, by pressing the Power On Button. The LED indicator lights on the drone will remain on and the power indicator light on the controller will flash. This indicates that the drone needs to be paired to the remote control. To pair, move the left thumb stick upwards for 1 second then move the left thumb stick downward for 1 second. The controller will beep and the power indicator light will change to solid blue once the controller and the drone have been paired successfully. Release the left thumb stick allowing it to return to the natural position. Please refer to **"FIG 1 & 2 "ON PAGE 15.**
4. Connect your device WiFi to the drone and open the App to view real time information. Please refer to **"ZERO-X EVO-4K"ON PAGE 19** on how to download the App (Optional).
5. Open the App and press **"Enter"** on the screen. A message will pop up on the screen saying **"Is the drone compass calibrated ? yes or no."** Press **"No"** and it will show you how to complete the geomagnetic calibration. The Rear LED lights on the drone will flash red quickly when it is in geomagnetic calibration mode.
6. To begin horizontal calibration, pick up the Evo 4K drone and rotate it horizontally clockwise with the front camera facing away from you until the rear left lights switch to a solid red colour.  
(Please refer to **"FIG 3"ON PAGE 15).**
7. To begin vertical calibration, pick up the Evo 4K drone and face the front camera towards the ground. (Please refer to **"FIG 4"ON PAGE 15).**
8. Rotate the drone on its vertical axis continuously. The Rear lights will become solid red with the App status: **"Compass Calibration Okay"**. The drone has now been calibrated and will start searching for GPS, the LED light on the drone's arm will flash slowly. This process will take some minutes depending on the state of overcast conditions. The drone must be outdoors for the GPS connection to function correctly. ( Front LED's will flash green and the rear LED's will flash red).
9. App status: **"Waiting for GPS signal"**.

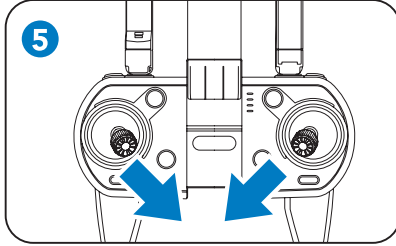
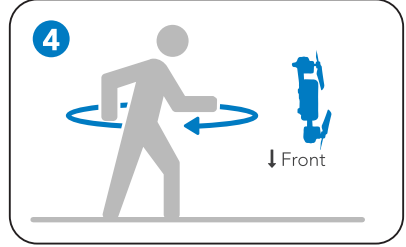
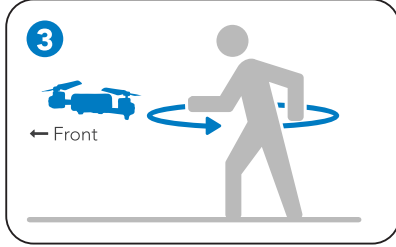
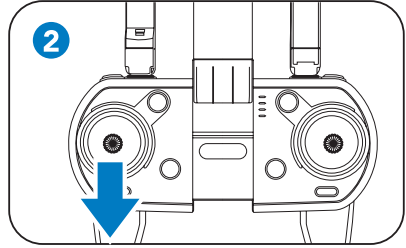
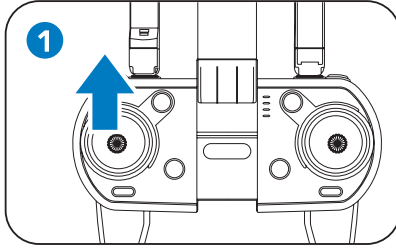
10. Once all the LED Lights on the drone's arm turn solid and the App indicates that more than 6 satellites are connected, then the drone is ready for take off. Unlock the motors by simultaneously holding the left thumb stick down to a 5 o'clock position while also holding the right thumb stick down to a 7 o'clock position.  
(Please refer to **"FIG 5" ON PAGE 15**).
11. The motors will now start spinning, to launch the drone push the left thumb stick upward within 5 seconds of the motors being unlocked or press the one key take off/landing button.

**NOTE:**

- If the drone has been flown at the intended area before, it should already be calibrated. If you have pressed "Yes" accidentally on the App at the calibration stage, restart the calibration process by following the calibration steps.
- If the drone cannot be calibrated, simultaneously hold the left thumb stick down and to the left (7 o'clock position) and hold the right thumb stick up and to the left (11 o'clock position). The drone's indicator lights will flash quickly and the App status will change to: **"Compass Calibration"**.
- If the drone collides with something or is unstable while hovering after a collision, land it immediately. Put the drone on flat ground, click "⊕" on the App to initiate gyroscope calibration. The LED lights on the drone will flash quickly, when it has calibrated successfully the lights will turn solid.

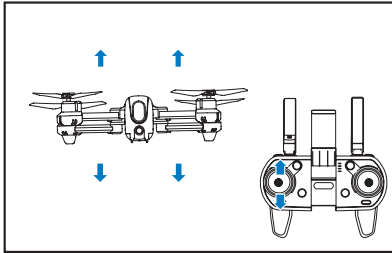






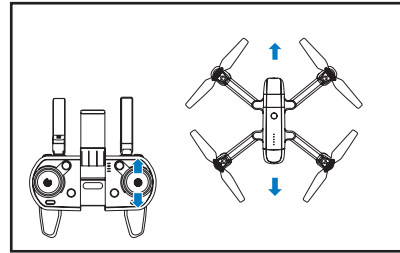
## 13.0 BASIC FLIGHT

### UP AND DOWN



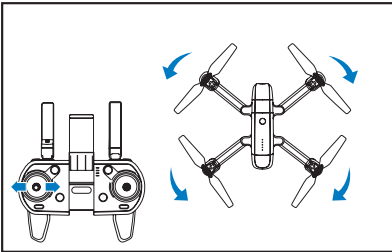
Push the left control stick up to gain altitude and down to descend.

### FORWARD AND BACKWARDS



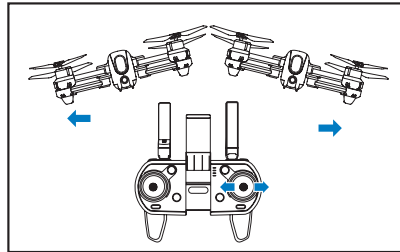
Push the right control stick up and down to fly forward and backwards.

### ROTATION



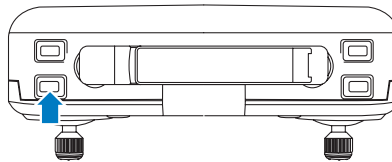
Push the left control stick left and right to pivot left/right.

### LEFT/RIGHT FLIGHT



Push the right control stick left and right, to fly left/right.

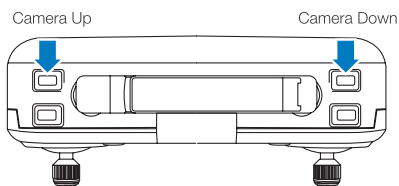
## 14.0 SPEED MODE



The Evo 4K Drone has 3 speed modes that control the acceleration and maneuverability of the drone.

Change the speed by pressing the speed button on the top left of controller.

## 15.0 GIMBAL ADJUSTMENT



In order to record the scene from different angles, the Evo 4K drone has an automatic camera gimbal. Press the camera angle buttons to adjust the angle up & down. This allows you to also view from different angles.

**WARNING:**

**PLEASE DO NOT MOVE THE CAMERA MANUALLY AS IT CAN DAMAGE THE GIMBAL AND CAMERA.**

**16.0 TAKING OFF / LANDING & EMERGENCY LANDING**

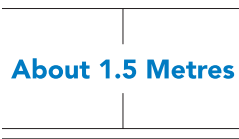
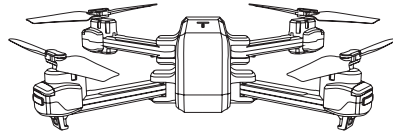
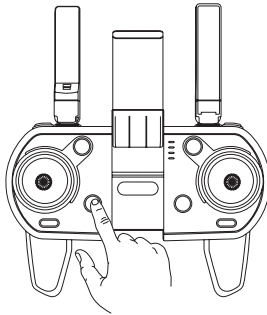
When the Evo 4K Drone has been paired successfully and the motors have been unlocked, the rotor blades will start spinning, press the "Take off/Landing" button on the controller, the drone will take off at an altitude of about 1 and a half metres. (Always keep the camera of the drone facing forward, not facing you.)

To Stop the motor, press the "Take off/Landing" button, the drone will land automatically. Remember to always hold on to the remote control as long as the motor is still spinning.

Press the "Take off/Landing" button for 3 seconds for the Emergency Landing.

**NOTE:**

- When Emergency Landing Mode is activated the rotor blades will lock and the drone will fall to the ground. It is highly recommended that you do not push this button unless it is an emergency.



**17.0 OPTICAL FLOW POSITIONING**

Optical flow position is a way to keep your drone flying stable, which ensures the drone takes pictures/video in high quality.

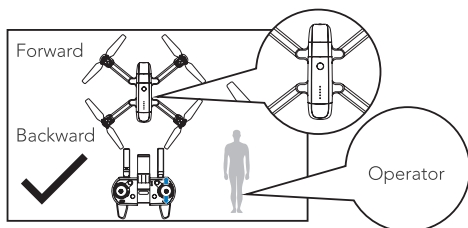
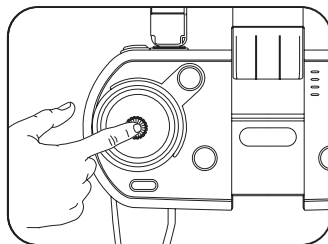
1. For optical flow to function, the Evo 4K drone comes with 2 inbuilt cameras.
2. One is a front camera with Full 1080P high definition resolution, the other is a bottom camera with 480P resolution.
3. During flight, the drone will analyse continuously to keep the drone's position stable.

**NOTE**

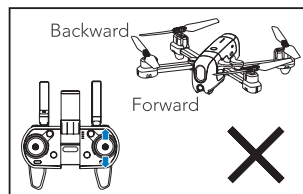
- Optical Flow may not work correctly if the surface below the drone's flight has a uniform pattern.

## 18.0 HEADLESS MODE

1. When headless mode is enabled, the drone will move in the direction of the remote control, regardless of its orientation. This makes it easy to bring the drone home when it is far away from you.
2. Press the headless mode button on the controller (shown in the diagram to the right). The remote control will beep once indicating that headless mode has been enabled. To stop headless mode, press the headless mode button again; the controller will beep again.
3. When using headless mode, the camera of the drone should point in the direction of flight; the back of the drone should be facing the pilot. See below.




The correct take off position.



The incorrect take off position.

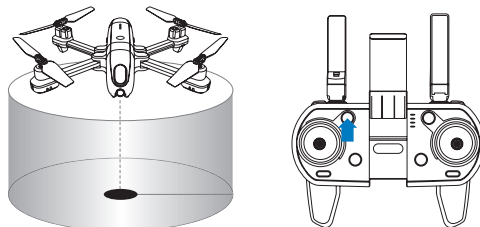
## 19.0 FLY AROUND-ME MODE

 When activated, Fly Around-Me Mode will make the Evo 4K circle/fly around a selected person or object.

1. To activate Fly Around-Me Mode, while drone is in air, aim the Evo 4K at the desired point of interest. Press the "📍" button on the App screen or controller, this will set the drone flight surround radius range (within 2-10 metres).
2. Press the "📍" button again on the App screen or controller, then the drone will start flying around your point of interest at the radius range you set.

### NOTE

- If the surround radius range is less than 2 metres, the drone will default to a 2 metre radius for safety purposes.



## 20.0 ZERO-X EVO 4K APP



The Evo 4K drone has built in WIFI connection which is used to wirelessly connect your smartphone to your Evo 4K drone allowing you to view the camera's live view, trigger recording, control and fly your Evo 4K drone.

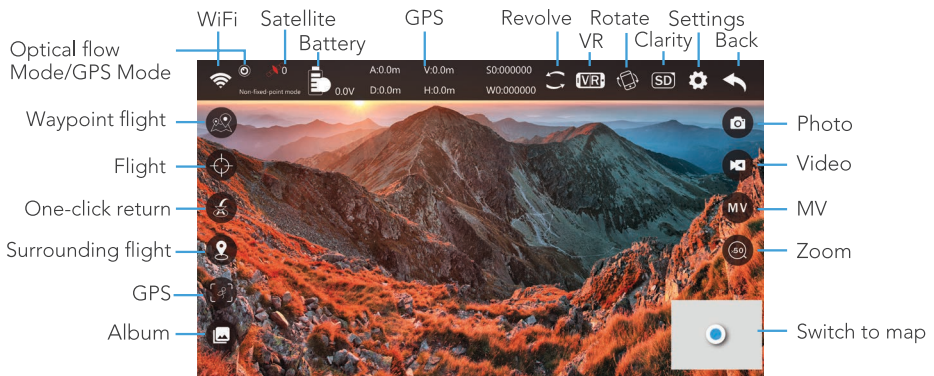
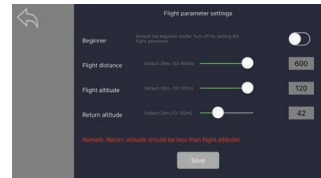
To connect your smartphone to the Evo 4K drone please follow the instructions below.

Go to the Google Play store if you are using an Android Smartphone, or the Apple Store if you are using an iPhone and search for the App named "ZXP-EVO4K". Once located please download and install the App on your smartphone.

Connect the App, then go into the WIFI settings on your smartphone and select the connection named ZXP-EVO4K\_XXXX (XXXX will be your unique drone number). Once connected, open the ZXP-EVO4K App on your smartphone.

### NOTE:

- To take off with your EVO 4K drone, please wait until the drone status says **"Ready to Fly"**, this will ensure that your drone's GPS has synced successfully. For safety, the default control mode of the drone is set to Beginner where the flight parameters are fixed. To change the parameters, please de-select the Beginner mode in the Evo 4K App's Flight Settings.



## 21.0 FOLLOW-ME FUNCTION (GPS MODE ENABLED)



When the Follow Me function is activated, the drone will follow your smartphone wherever you go. Please make sure the smartphone is connected with your Evo 4K drone successfully and the Zero-X Evo 4K App is installed and open.

1. Fly the drone a minimum of 3 metres and maximum 30 metres away from the operator (holding the smartphone).
2. Click the follow me icon on your App.
3. The App will show **"Follow Me Ready"**, then the drone will start following the smartphone.
4. Click the follow me icon again to stop this function.

### NOTE:

- Follow Me mode depends on the smartphone's GPS signal. The GPS signal can vary depending on the amount of buildings, trees, mobile towers or congestion or from too many mobile phones in its vicinity.
- Please fly the drone in open areas. The Evo 4K drone is not equipped with obstacle avoidance.

## 22.0 ACTIVE TRACK

When the active track function is activated, the drone will follow the image which is circled on the App.

1. Click the active track button, a square will appear on the App interface, then mark out the image that you want to track.
2. The drone will track this image. When the image moves, the drone will move accordingly.

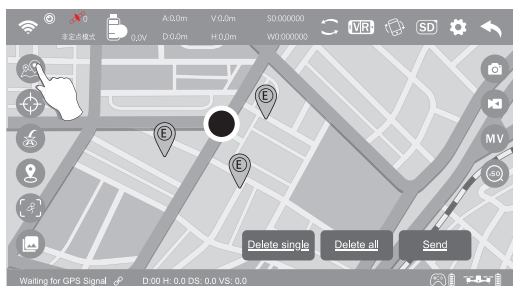
## 23.0 WAY POINT FLIGHT (GPS MODE ENABLED)



Before activating the way point flight function, make sure your smartphone is using either the 4G/5G network and open the App. Press the "Waypoint Flight" button, the maps will update. After this, you can connect the drone's WiFi for continuous flying.

After the way point flight function is activated, the drone will fly according to the path which you have set. Please make sure your smartphone is connected with your Evo 4K drone successfully and the App is working. Also make sure that you have downloaded and saved the local map to your smartphone.

1. Click the way point flight button on the App, you will see a circle (parameter for flight path) and the drone's current position on the map.
2. Please mark the points (max 5 points) within the red circle on the map that you plan to fly, and click send. The drone will then fly according to this path.
3. Push the direction stick to stop the way point flight.
4. To reset the flight path, click "Delete single" or "Delete all", then click "Send". You will now be able to set a new path.



## 24.0 RETURN HOME (GPS MODE ENABLED)



The Return Home Button will initiate the automatic landing sequence. Please make sure there are no obstructions, people or animals under the drone when this is selected.

After pressing the Return home button, the drone will first elevate and then return back. If the drone is not connected to the App, please press the Return to Home button on the controller for the drone to safely land at the starting point.

### SMART RETURN TO HOME

Press the return to home button on your remote control or click the return to home on the App, the remote control will start beeping. Your drone will return to the take off point recorded by its internal GPS. To stop the return to home function, press the return to home button again.

### LOW BATTERY RETURN TO HOME

When the drone senses the battery level is low, the drone will fly back to a place that is approximately 35 metres from the take off point and you will still be able control the drone.

When the battery of the drone is almost empty, the drone will fly back to the take off point

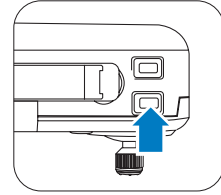
**The drone will return home if there is a loss in connection with controller.**

#### NOTE:

- The drone is not equipped with obstacle avoidance.

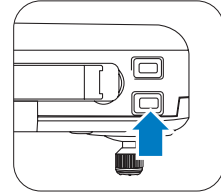
## 25.0 PHOTO MODE

Press the photo button on the remote control or click the photo icon on the App. A picture will be shown on the App which means a photo has been captured. If you're not connected with the App, press the top left button on the controller to take a picture.



## 26.0 VIDEO MODE

Long press the photo/video button on the remote control or click the video icon on the App. The video recording time will be shown on your App, this means a video is being recorded. If you're not connected to the App, long press the top right button on the controller to take a video.



## 27.0 VIEWING PHOTOS AND VIDEOS

To view your recorded footage and videos you will need to connect the Micro SD card to your computer via either a USB Micro SD card reader or via an SD card converter if your computer has an SD card reader. (Not provided). You can also click on the media gallery on the App to view pictures and videos.

### NOTE:

- The micro SD card has to be inserted into the drone to save photos and videos if your drone is not connected to WiFi.
- The quality of videos or photos recorded on your smartphone are descaled to save space. Higher resolution images can be saved when recording to micro SD.

## 28.0 DRONE MAINTENANCE

Avoid exposing your Evo 4K and it's accessories to dust, sand and moisture as these can damage the Evo 4K. If the Evo 4K is exposed to dust or sand, use a soft brush to remove any visible particles.



## 29.0 REPLACEMENT PARTS

We understand that it's not always easy learning how to fly a drone, and sometimes a close call can turn into a crash landing. To thank you for your support of Zero-X and your drone purchase, we would like to help you build your confidence in learning how to fly your drone. We would like to offer you 50% off your first two orders of any spare parts by using the codes in the coupons below.

There you will be able to find and buy the spare parts listed below.

Visit [www.zero-x.com.au](http://www.zero-x.com.au) | [www.zero-x.co.nz](http://www.zero-x.co.nz) to make your purchase.

- Battery
- Rotor Blades
- Front Arm & Motor Set A
- Front Arm & Motor Set B
- Rear Arm & Motor Set A
- Rear Arm & Motor Set B



## 30.0 WARRANTY TERMS & CONDITIONS

Our goods come with guarantees that cannot be excluded under the Australian Consumer Law. You are entitled to a replacement or refund for a major failure and for compensation for any other reasonably foreseeable loss or damage. You are also entitled to have the goods repaired or replaced if the goods fail to be of acceptable quality and the failure does not amount to a major failure.

This warranty is provided in addition to your rights under the Australian Consumer Law. Directed Electronics Australia Pty Ltd (Directed Electronics) warrants that this product is free from defects in material and workmanship for a period of 12 months from the date of purchase or for the period stated on the packaging. This warranty is only valid where you have used the product in accordance with any recommendations or instructions provided by Directed Electronics.

This warranty excludes defects resulting from alterations of the product, accident, misuse, abuse or neglect. In order to claim the warranty, you must return the product to the retailer from which it was purchased or if that retailer is part of a National network, a store within that chain, along with satisfactory proof of purchase. The retailer will then return the goods to Directed Electronics.

Directed Electronics will repair, replace or refurbish the product at its discretion. The retailer will contact you when the product is ready for collection. All costs involved in claiming this warranty, including the cost of the retailer sending the product to Directed Electronics, will be borne by you.

**Zero-X Address:**

115-119 Link Road, Melbourne Airport. VIC. 3045. Australia

**Ph:** +61 03 8331 4800

**Email:** [service@zero-x.com.au](mailto:service@zero-x.com.au)

**INDEMNITY**

You agree to defend, indemnify and hold harmless Zero-X and its subsidiaries and affiliates from and against any and all claims, proceedings, injuries, liabilities, losses, costs and expenses (including reasonable legal fees), including but not limited to, claims alleging negligence, invasion of privacy, copyright infringement and/or trademark infringement against Zero-X and its subsidiaries and affiliates or the Zero-X services, relating to or arising out of your breach of any provision of these terms, your misuse of the Zero-X or Zero-X services, or your unauthorized modification or alteration of products or software.

## WARRANTY AND WARRANTY DISCLAIMER

Zero-X has a limited warranty on whereby Zero-X warrants to you and only to you that the Zero-X drones and accessories, computer software, or other hardware, computer software, or other hardware. And accessories will be free from defects in materials and workmanship for one (1) year from the date of your purchase of the on Zero-X drones and accessories, computer software, or other hardware (unless a longer warranty period is required by law). The specifics of this Zero-X limited warranty are at <https://www.zero-x.com.au/warranty>

To the extent possible under governing law, other than the above product warranty for the Zero-X drones and accessories, computer software, or other hardware you understand and agree that the Zero-X services are provided on an "as is" and "as available" basis. Zero-X makes no warranty that the Zero-X services will meet your requirements or that use of the Zero-X services will be uninterrupted, timely, secure or error-free nor does Zero-X make any warranty as to the accuracy or reliability of any information obtained through the Zero-X services (including third party content), that any defects in the Zero-X services will be corrected or that the Zero-X products or Zero-X services will be compatible with any other specific hardware or service. Further, Zero-X does not warrant that the Zero-X services or the Zero-X servers that provide you with data and content are free of viruses or other harmful components. Zero-X also assumes no responsibility for and shall not be liable for any damages caused by viruses that may infect your Zero-X drones and accessories, computer software, or other hardware.

You agree that Zero-X is not an insurer and that Zero-X is not providing me with insurance of any type. Any amounts that you pay Zero-X for the Zero-X service are not insurance premiums and are not related to the value of your vehicle or property, anyone else's property located in your vehicle or premises, or any risk of loss in your vehicle or at your premises. If you want insurance to protect against any risk of loss at your vehicle or premises, you will purchase it. In the event of any loss, damage or injury, you will not look to Zero-X to compensate you or anyone else. You release and waive for yourself and your insurer all subrogation and other rights to recover against Zero-X arising as a result of the payment of any claim for loss, damage or injury.

Zero-X's equipment and services do not cause and cannot eliminate occurrences of certain events, including, but not limited to, fires, floods, burglaries, robberies and medical problems. Zero-X makes no guarantee or warranty, including any implied warranty of merchantability or fitness for a particular purpose, that the Zero-X equipment and services provided will detect or avert such incidents or their consequences. Zero-X does not undertake any risk that you or your vehicle or property, or the person or property of others, may be subject to injury or loss if such an event occurs. The allocation of such risk remains with you, not Zero-X.

Other than the above product warranty for the Zero-X drones and accessories, computer software, or other hardware, Zero-X and its suppliers disclaim all warranties of any kind, whether express, implied, or statutory, regarding the Zero-X equipment and any associated app/service. Including any implied warranty of title, merchantability, fitness for a particular purpose, or non infringement of third party rights. Because some jurisdictions do not permit the exclusion of implied warranties, the last sentence of this section may not apply to you. Zero-X hereby further expressly disclaims all liability for any claims for service failures that are due to normal product wear, product misuse, abuse, product modification, improper product selection or your non-compliance with any and all applicable federal, state or local laws. This warranty and warranty disclaimer give you specific legal rights, and you may have other rights that vary by state, province, or country. Other than as permitted by law, Zero-X does not exclude, limit or suspend other rights you have, including those that may arise from the nonconformity of a sales contract. For a full understanding of your rights you should consult the laws of your state, province, or country. For our Australian Customers: please note that this warranty is in addition to any statutory rights in Australia in relation to your goods which, pursuant to the Australian consumer law, cannot be excluded.

#### **LIMITATIONS OF ZERO-X LIABILITY**

Under no circumstances will Zero-X be liable in any way for any content, including, but not limited to, the loss of content, any errors or omissions in any content, or any loss or damage of any kind incurred in connection with use of or exposure to any content posted, emailed, accessed, transmitted, or otherwise made available via the Zero-X app.

Zero-X liability for damages, especially for breach of duty or obligation, delay in performance, non-performance, or malperformance shall be precluded, except when these are due to negligent breaches of any significant contractual duty or obligation on the part of Zero-X. Any liability for negligence is limited to direct losses usually and typically foreseeable in such case. Should the claim for damages be based on willful or grossly negligent breach of contractual duty or obligation on the part of Zero-X, the preclusion and limitation of liability mentioned in the preceding sentences will not apply. The preceding preclusion and limitation of liability will also not apply to claims for damages arising out of loss of life, bodily injury or health impacts for which Zero-X may be liable, or for non-contractual liability.

Some states and countries do not allow the exclusion or limitation of incidental or consequential damages, so the above limitation or exclusion may not apply to you. Additionally, this provision is not intended to limit Zero-X's liability in the event of Zero-X's willful or intentional misconduct.







Capture the skies.™

**ZERO-X**

[www.zero-x.com.au](http://www.zero-x.com.au) | [www.zero-x.co.nz](http://www.zero-x.co.nz)



All Images, Information and Content are  
Copyright © 2021 Directed Electronics  
Australia Pty Ltd. All Rights Reserved.

© Zero-X v1.0 2021